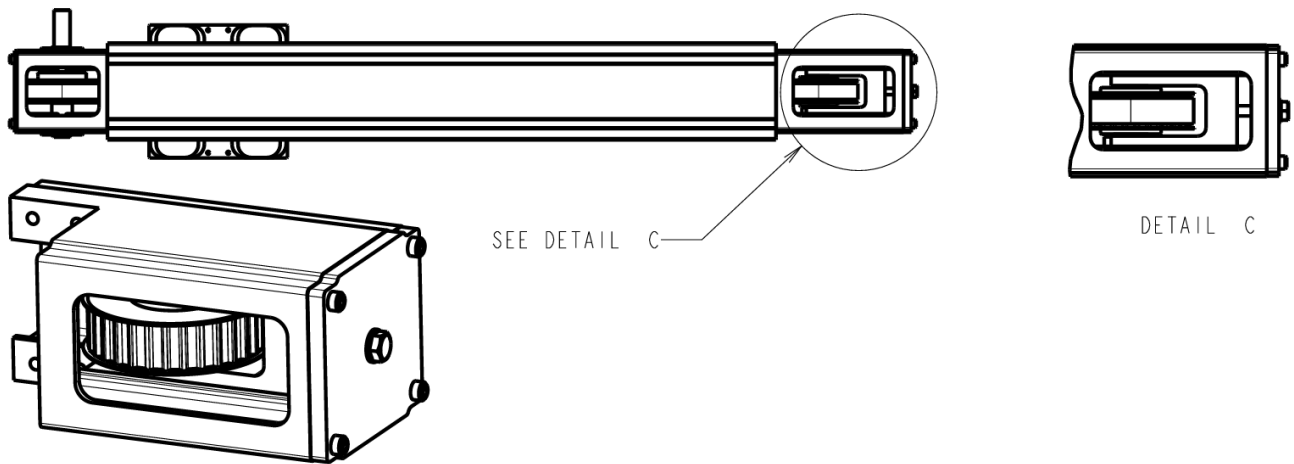


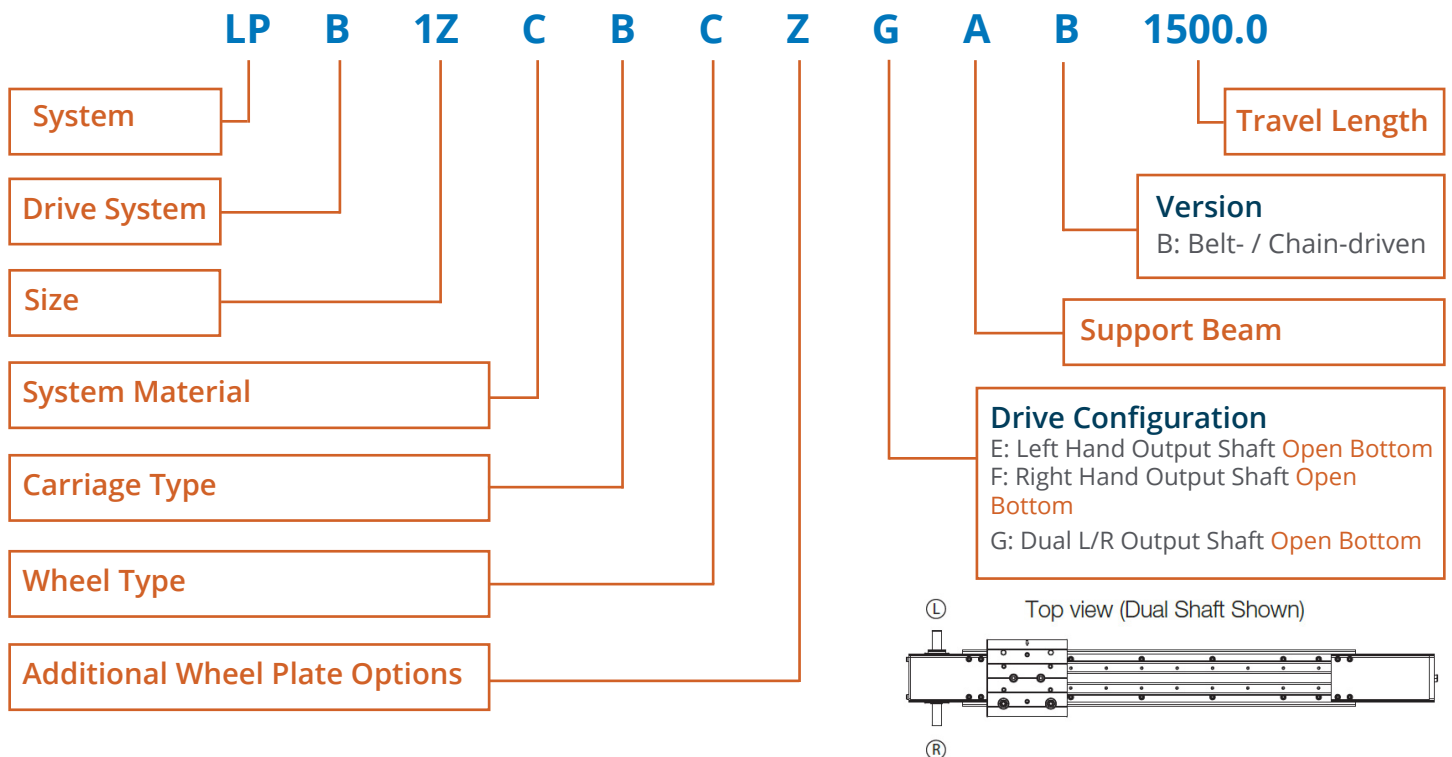
**March 14<sup>th</sup>, 2025:** PRODUCT STATUS NOTIFICATION – LoPro<sup>®</sup> Linear Actuator, Belt-Driven / Chain-Driven

Bishop-Wisecarver<sup>®</sup> is informing you of a version change and feature addition to the LoPro<sup>®</sup> product line. LoPro Version 6 will replace Version 5 as the standard offering for **belt-driven and chain-driven systems**. V5 subassemblies and components will remain available for replacement until depletion of inventory. Please note the following changes:

- Added optional feature for opening on bottom side of drive and idler ends (both) on belt-driven and chain-driven V6 LoPro systems. Allows for easier evacuation of debris.**

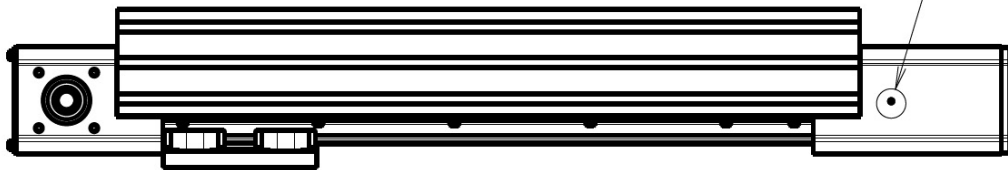


- Changes to stock code scheme for LoPro V6 (see **Version** and **Drive Configuration** fields):**



3. Changed yoke position limiter from roll pin to socket head cap screw.

LoPro Version 5



SEE DETAIL B



DETAIL B

LoPro Version 6



SEE DETAIL D



DETAIL D

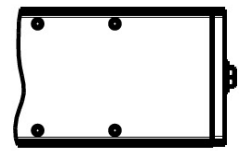
4. Removed tap holes on bottom side of drive and idler ends.

5. Idler end plate screws no longer recessed. Does not increase overall length dimension.

LoPro Version 5



SEE DETAIL A

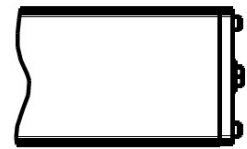


DETAIL A

LoPro Version 6



SEE DETAIL C



DETAIL C

**Questions? Please contact your local representative or Bishop-Wisecarver customer service at 1.888.580.8272**