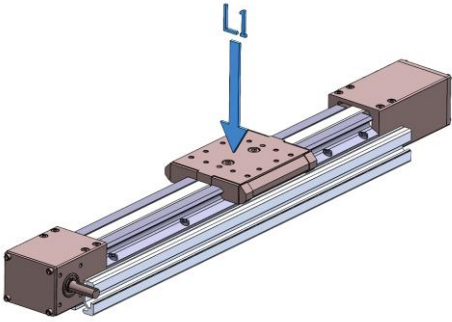
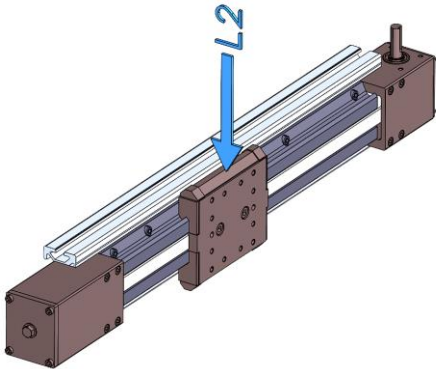
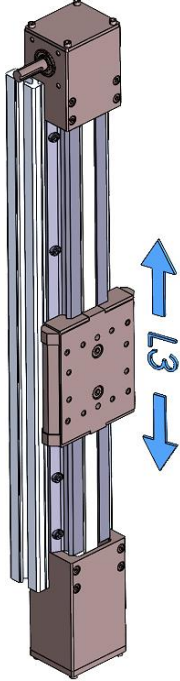




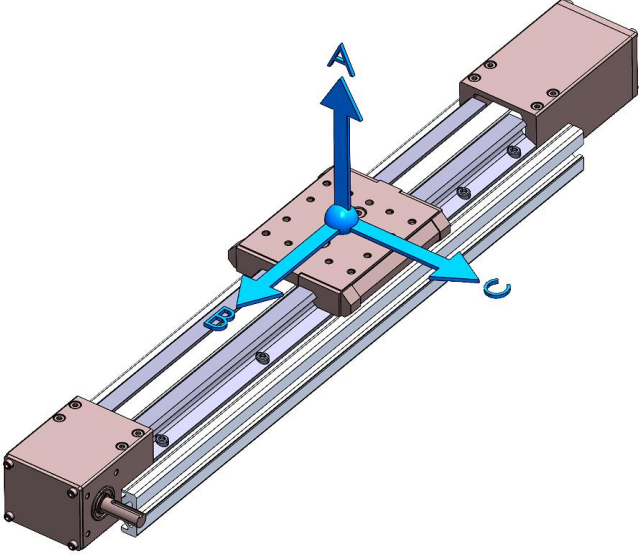
Linear Actuators

Application Datasheet

Please include as much information as possible to assist with and speed up the specification process.

Contact Information	
Company:	
Address:	
Contact:	
Phone:	
E-mail:	
Application Information (Additional area for notes on page 3)	
Description: What is the application doing?	
System Orientation (Select one)	<p>Horizontal Payload direction (L1)</p> 
	<p>90° Roll Payload direction (L2)</p> 
	<p>Vertical Payload direction (L3)</p> 
	<p>Other Provide sketch of layout</p>

Application Information (Continued)

Payload Center of Mass		A: (mm, in)	
		B: (mm, in)	
		C: (mm, in)	
		<p>Populate the A/B/C dimensions above with the corresponding payload center of mass in relation to the actuator carriage center.</p> <p>If unknown, populate with your best estimate at this time. Worst-case scenario is best to ensure capacity isn't exceeded.</p>	

Payload: (kg, lbs)	
Stroke: (mm, in)	
Accuracy & Repeatability: (mm/m, in/ft), (+/- mm, in)	
Speed: (m/s, in/s)	
Acceleration: (m/s ² , in/s ²)	
Deceleration: (m/s ² , in/s ²)	
Duty Cycle: (Cycles per day)	
Required Life: (Years)	
Track Lubrication Allowable?: (yes/no)	
Environment: (Debris, Clean-room, Washdown, etc.)	
Temperature & Humidity: (°C, °F)	
Method of Driving: Belt, Chain, Ball Screw, Leadscrew, Rack & Pinion, Manually Positioned	

Gearbox & Motor Requirements (Select as required, note when gearbox provided, no motor mount is required)

Motor Mount:	Motor Make:	Motor Model:	
Gearbox:	Specify Ratio:	Engineering to provide ratio	
Motor:	Type:	Stepper	Servo
Controls/Drive:	Other:		
If checked, please complete the "Controls & Electronics" portion below.			

Controls & Electronics Information	
Brand Preference: Applied Motion Products, Sanyo Denki, Other (Specify)	
Power Available: 24VDC, 48VDC, 110VAC, 220VAC	
Communication Protocol: Indexer, Modbus, CAN open, Other (Specify)	

Project Planning Information	
Project Timeline: When is product required on-site?	
Budget: What is your project budget?	
Quantity: How many are required for your project?	

Notes/Comments: Use this area to add additional clarifying comments and notes.